

# LYONS | PHOTOGRAPHY

& lighting design installation

57 Wooding Crescent, Willingsworth, Tipton, West Midlands DY4 0BQ  
 Tel./Fax: (0121) 502 4902      Mobile: 07967 727750

This form is to assess whether there is sufficient space for the required lighting system. More accurate measurements will be completed during the site survey. If returning by post please use above address and allow 4 working days for a reply.

Please print in block capitals

Contact Name .....

Studio Address .....

.....

.....

Postcode .....

Telephone .....

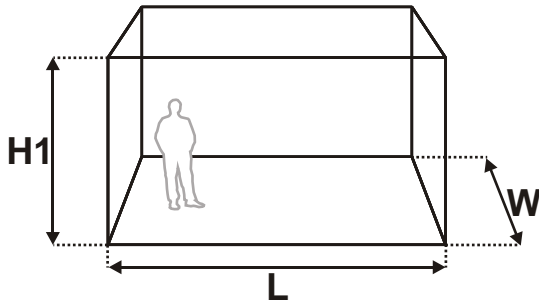
Mobile .....

E-mail .....

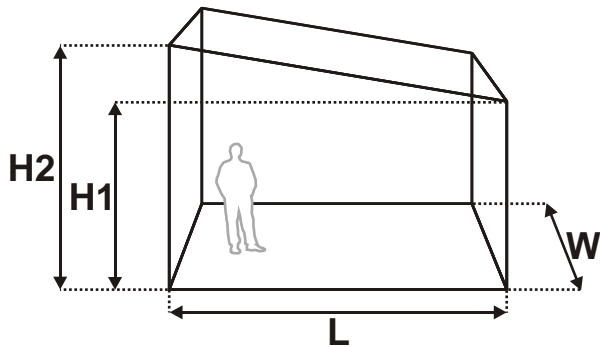
WIDTH (W)      LENGTH (L)      HEIGHT (H1)      HEIGHT (H2) if applicable

metres     metres     metres     metres

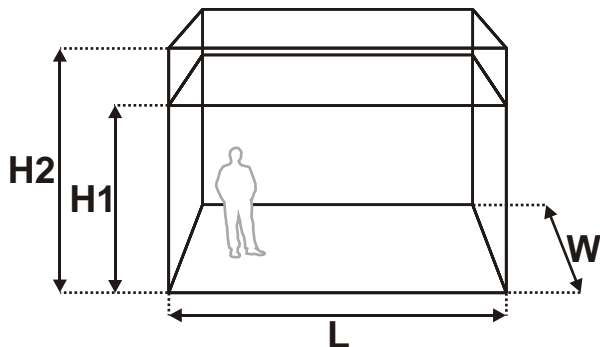
please tick A, B or C



A  
 Level Ceiling (minimum height\*)



B  
 Irregular Ceiling (minimum and maximum heights\*)



C  
 False Ceiling (visible and hidden heights\* (if known))

\*all measurements of height must be the lowest point including any obstructions